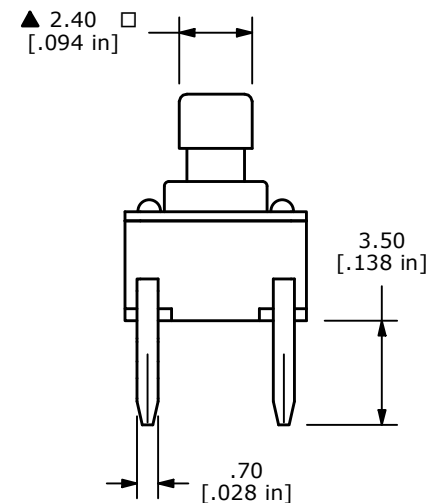
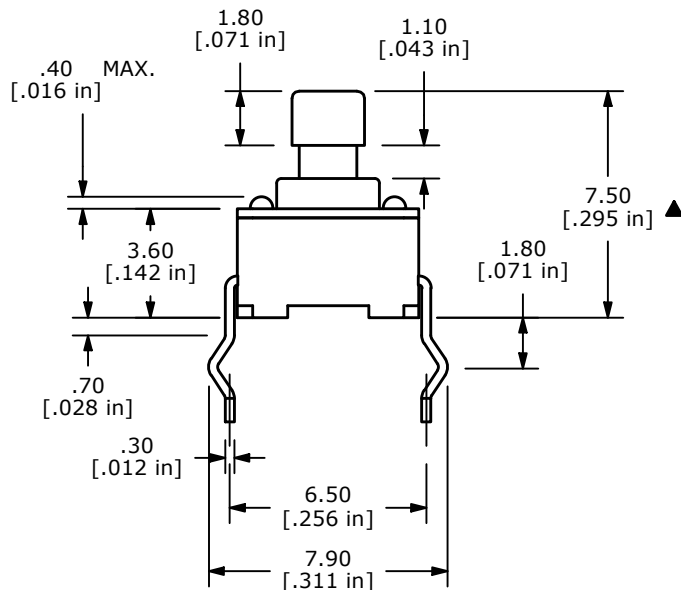


CIRCUIT: SPST ▲



- NOTES:
1. ALL DIMENSIONS IN MM [INCH]
 2. TERMINAL NUMBERS FOR REF. ONLY
 3. TOLERANCE: X.X±0.4
X.XX±0.25
 4. RATING: 50mA @ 12VDC
 5. TRAVEL: 0.25 +0.2/-0.1mm
 - ▲ 6. OPERATING FORCE: 160± 50gf
 7. ELECTRICAL LIFE: 100,000 CYCLES MIN.
 8. CONTACT RESISTANCE: 100mΩ MAX.
 - ▲ 9. CONTACT MATERIAL: SILVER
 10. ▲ DENOTES CRITICAL PARAMETER
 11. OPERATING TEMP: -40°C TO 85°C



B	24547	CHANGE OPERATING TEMPERATURE	10/6/20	JM
A	10224	RELEASED FOR PRODUCTION		
REV	PCR NO	DESCRIPTION	DATE	BY

TITLE TL1105TF160Q				
SCALE	DATE	DR	DWG	REV
4:1	5/19/1999	MM	P010228	B

THE INFORMATION CONTAINED IN THIS DOCUMENT IS PROPRIETARY TO E-SWITCH AND IS NOT TO BE COPIED OR TRANSFERRED